



PACIFIC NORTHWEST BARBECUE ASSOCIATION

Skagit Valley

BARBECUE CHAMPIONSHIP

SPONSORED BY

FOOD
Pavilion

Sign up now!

\$10,000.00

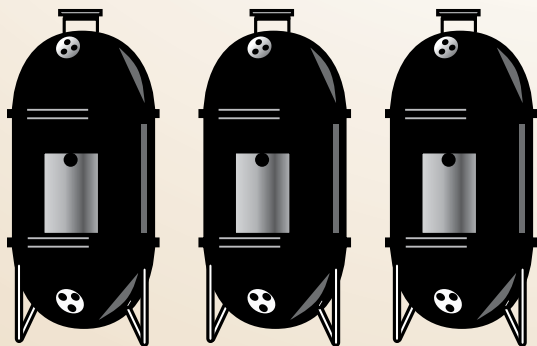
In Prizes

Date: August 15-16, 2009

Location:

FOOD
Pavilion

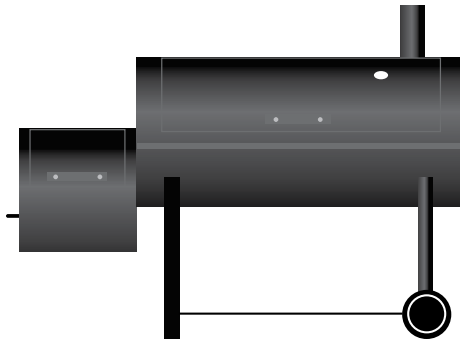
530 Crossroads Square
Sedro Woolley, WA 98284
(360) 856-1167



ENTRY FEE: \$145 UNTIL AUGUST 8TH
AFTER AUGUST 8TH: \$170

Contact Information:
Tom Wallin, 425-372-6712
tkwallin@comcast.net

PNWBA.COM



RV parking onsite available (RVs will not be allowed at your cooking site but will be close by in the same lot) – **No utilities available.**

In addition to the individual categories, we will have a **BEST Booth Category.** So Dress up your booth!!!

No power will be available for cooks - quiet generators will be allowed.

Extra Category: Grilled/BBQ Pizza! No store bought or pre-made pizza will be allowed. It must be made on site. Store bought pizza dough or crust (without toppings) will be allowed. Presentation will be in cardboard pizza boxes supplied by the Head Judge.

Competition Schedule

LOAD IN IS SATURDAY	9:00 AM–NOON	SUNDAY	
MEAT INSPECTION BEGINS AT NOON		10:00 AM	JUDGES MEETING
COOKS MEETING	3:00 PM	11:00 AM	PORK BUTT
JUDGES MEETING	4:00 PM	12:00 PM	BRISKET
TURN IN– GRILLED/BBQ PIZZA	5:00 PM	1:00 PM	CHICKEN
POTLUCK AT	7:30 PM	2:00 PM	RIBS
		4:00–4:30 PM	AWARDS

Award Payouts: GRAND CHAMPION: \$1,500 | RESERVE CHAMPION: \$1,000

Each Category

FIRST PLACE:	\$400
SECOND PLACE:	\$300
THIRD PLACE:	\$200
FOURTH PLACE:	\$150
FIFTH PLACE:	\$100
SIXTH PLACE:	\$75
SEVENTH PLACE:	\$75
EIGHTH PLACE:	\$50
NINTH PLACE:	\$25
TENTH PLACE:	\$25

Grilled/BBQ Pizza

FIRST PLACE:	\$400
SECOND PLACE:	\$300
THIRD PLACE:	\$200
FOURTH PLACE:	\$150
FIFTH PLACE:	\$100
SIXTH PLACE:	\$75
SEVENTH PLACE:	\$75
EIGHTH PLACE:	\$50
NINTH PLACE:	\$25
TENTH PLACE:	\$25

Best Booth

FIRST PLACE:	\$250
SECOND PLACE:	\$150
THIRD PLACE:	\$50
FOURTH PLACE:	\$50

EVERY team must have a 2A 40BC or 3A 40BC fire extinguisher with a current inspection tag or a current receipt. Current is less than 1 year old! Fire Department personnel will be onsite to perform inspections. Check your fire extinguisher before arriving! No fire extinguisher, no cooking!

Please make checks payable (US Dollars) to "PNWBA" and send along with this registration to: "SKAGIT VALLEY BBQ CHAMPIONSHIP" Cookoff 23632 Highway 99, #F127, Edmonds, WA 98026

Entry Fee is enclosed: \$145 USD \$170 USD
 New Cook? Yes No
 Current PNWBA member? Yes No
 Trailer Pit? Yes No
 RV? Yes No

Team Name: _____

Head Cook: _____

Address: _____

City/State/Zip: _____

Phone: _____ Cell Home

Email address: _____

Signature of Head Cook: _____

Date: _____

RELEASE—Waiver of Liability: In consideration of your accepting this entry, I the undersigned, intending to be legally bound hereby, forever release, discharge and hold harmless the Pacific Northwest Barbecue Association (PNWBA), its officers and board members, event coordinators and judges, volunteers and employees from any and all liability for damages, injuries, or loss of any type whatsoever which may arise directly or indirectly as the result of the operation of this event. I agree that my participation shall be at my own risk and expense; and that whatever goods, services, entertainment or any other lawful pursuit which I may provide or participate in, to any extent, is at my own free will, expense and exposure; and that this RELEASE is given of my own free will and accord. Further, I hereby grant full permission to event organizers, the PNWBA, and/or their agents authorized by them, to use any photographs, videotapes, motion pictures, recordings or other record of this event for any legitimate purpose. I agree to abide by the rules and regulations of the PNWBA. The PNWBA reserves the right to refuse entry.